

DeviTemp™ Industrial Fan Heaters Manual



A: 3-9 kW
B: 15-21 kW

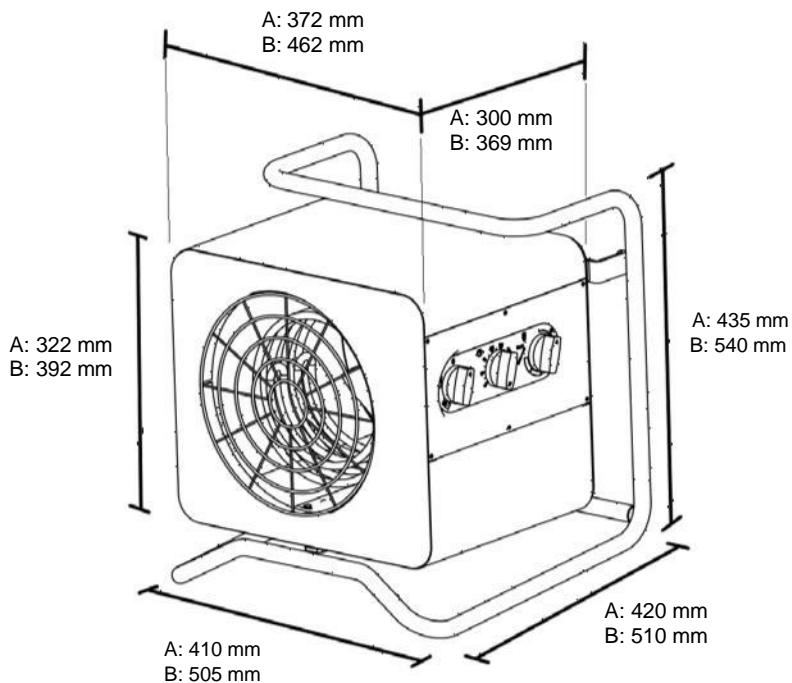


Fig. A:

- GB: Distance at wall mounting
- DK: Afstand ved vægmontage
- DE/AT: Abstand bei Wandmontage
- BG: Разстояние при стенен монтаж
- CZ: Vzdálenosti při montáži na stěnu
- FI: Atstumus tvirtinant prie sienos
- NO: Avstand ved veggmontering
- PL: Odległość przy montażu ściennym
- RO: Distanța la montarea pe perete
- SK: Vzdialenosti pri montáži na stenu
- SE: Avstånd vid väggmontering
- RU: Расстояния при настенном монтаже.
- IT: Distanza con montaggio a parete
- FR: Distance pour le montage mural
- FI: Etäisyys seinäasennuksessa

Fig. A

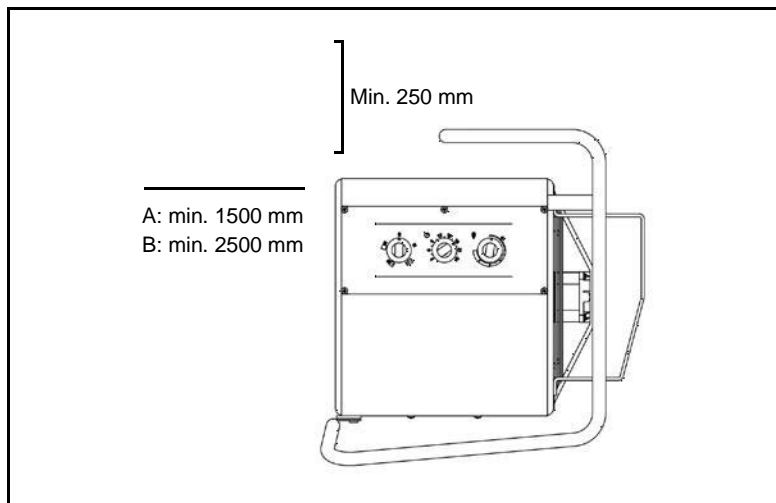
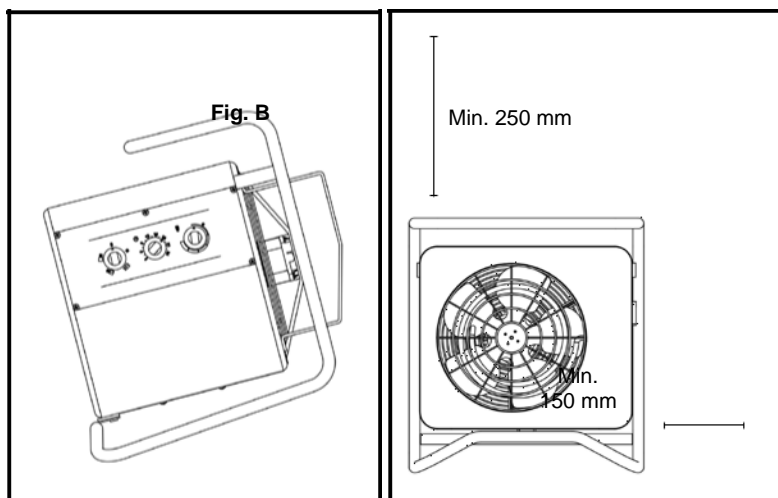
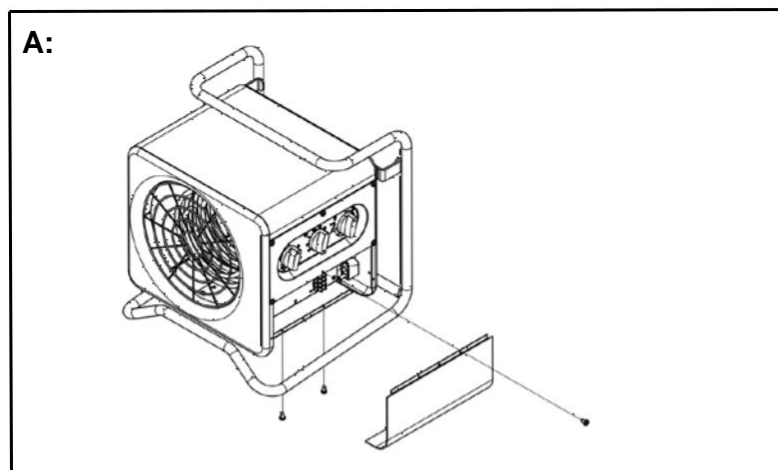
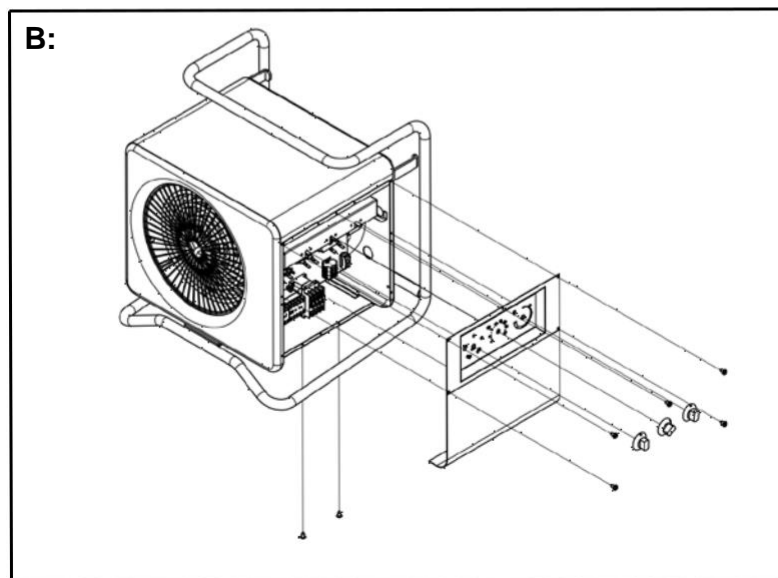


Fig. B:

- GB: 15° wall mounting
- DK: 15° vægmontage
- DE/AT: 15° Wandmontage
- BG: 15° степен монтаж
- CZ: Montáž na stěnu s 15° sklonem
- FI: Tvirtinimas prie sienos 15° kampu
- NO: 15° veggmontering
- PL: 15° montaż ścienny
- RO: 15° montare pe perete
- SK: 15° montáž na stenu
- SE: 15° väggmontering
- RU: Настенный монтаж под углом 15°.
- IT: Montaggio a parete 15°
- FR: 15° montage mural
- FI: 15° seinäasennus





Fig. B**Fig. C:**

- GB: Disassembly
- DK: Demontage af låg
- DE/AT: Abmontage/demontage
- BG: Демонтаж
- CZ: Demontáž
- FI: Išmontavimas
- NO: Demontering
- PL: Demontaż
- RO: Dezasamblarea
- SK: Demontáž
- SE: Demontering
- RU: Разборка.
- IT: Smontaggio
- FR: Démontage
- FI: Purkaminen

Fig. C**Fig. C**

GB Fan Heaters

(Original instruction)

 WARNING	In order to avoid overheating, do not cover heater.
 WARNING	Do not open the junction box when energized.
 WARNING	To reduce the risk of fire, keep textiles, curtains, or any other flammable material a minimum distance of 1 m from the air outlet.
 WARNING	Do not use this heater in small rooms when they are occupied by persons not capable of leaving the room on their own, unless constant supervision is provided.

CAUTION

Some parts of this product can become very hot and cause burns. Particular attention has to be given where children and vulnerable people are present.

The fan heater must not be installed beneath electrical switches and sockets.

This appliance can be used by children aged from 8 years and above and persons with reduced physical, sensory or mental capabilities or lack of experience and knowledge if they have been given supervision or instruction concerning use of the appliance in a safe way and understand the hazards involved.

Children shall not play with the appliance.

Cleaning and user maintenance shall not be made by children without supervision.

Children of less than 3 years should be kept away unless continuously supervised. Children ages from 3 years and less than 8 years shall only switch on/off the appliance provided that it has been placed or installed in its intended normal operating position and they have been given supervision or instruction concerning use of the appliance in a safe way and understand the hazards involved.

Children aged from 3 years and less than 8 years shall not plug in, regulate and clean the appliance or perform user maintenance.

Do not use the fan heater near bathtubs, cabinet showers, wash basins or swimming pools.

Concerning use of fixed fan heaters

GB Fan Heaters

(Original instruction)

which may be used in bathrooms, the fan heater must be installed thus power switch and other controls cannot be reached from the bathtub or cabinet shower. The fan heaters must not be placed near flammable objects. See fig. A. (The distances are min. distances.)

If supply cord is damaged, it must be replaced by the manufacturer, its service agent or similarly qualified persons in order to avoid a hazard.

Portable fan heaters:

Do not use this heater in the immediate surroundings of a bath, a shower or a swimming pool.

Do not use this heater if it has been dropped.

Do not use if there are visible signs of damage to the heater.

Use this heater on a horizontal and stable surface, or fix it to the wall, as applicable.

Portable fan heaters are only suitable for well insulated spaces or occasional use.

DELTA 3000, 3000T, 6000, 6000T, 9000, 9000T (A)

These fan heaters are suitable for fixed and portable use. The heaters are IPX4 and can be used in dry and humid rooms.

Overheating Protection for A

The fan heaters have a thermal cut-out which disconnects the supply if the motor fails or if overheating occurs. After cooling down the fan heater, reset can be done with a screwdriver through the hole in the instrument panel. If the fan heater does not start after re-connection you should contact manufacturer, its service agent or similarly qualified persons in order to avoid a hazard.

DELTA 15000, 15000T (B)

DELTA fan heaters are suitable for portable use or can be installed permanently at a height of at least 1,8 meters. The heaters are IPX4 and can be used in dry and humid rooms.

DELTA 21000, 21000T (B)

Must only be used as fixed fan heater and installed at a height of at least 1,8 meters. This fan heater is delivered with wall mounting fix and without plug for the cable. The heaters are IPX4 and can be used in dry and humid rooms.

Overheating Protection for B

The fan heaters have a thermal cut-out which disconnects the supply if the motor fails or if overheating occurs. If the fan heater does not start after re-connection, you should contact an electrician. See fig. C for disassembly of the housing.

GB Fan Heaters

(Original instruction)





General for A + B

Permanent Installation (fixed) The heater can be installed horizontally or at a downward gradient of 15°.

Operation panel must be visible from 1 meter distance.

1. The fixings are attached to the housing by use of 4 screws. The two spacing washers are placed between the housing and tubular frame (in the bottom hole).
2. Mark the hole positions. Drill out 4 holes to attach the fixing to the wall. Use M8 screws.
3. Now fix the heater in the top screws and attach the bottom screws.

Use of DELTA - List of signs

- | | |
|---|------------------------|
| 0 | Off |
|  | Fan on |
|  | Half fan and half heat |
|  | Full fan and half heat |
|  | Full fan and full heat |

DELTA fan heaters require no maintenance. However, it is recommended to clean the fan heater from dust by means of compressed air after long time of use or after use in dusty rooms.

Timer

To set time delay, rotate the knob clockwise and then turn back anticlockwise to required setting

Electrical Installation

Installation must be carried out with an all-pole disconnection with a contact space measuring at least 3 mm per pole. Permanent installation must always be performed by an authorized electrician in accordance with current regulations. Only the electrician has knowledge of current regulations. The terminals are accessible if the screws and the plate on the right side are removed.

Preservation and storage

The units must be stored under the following conditions:

- relative humidity maximum 60%
- temperature minimum 15°C

GB Fan Heaters

(Original instruction)

Information requirements for electric local space heaters

Model identifier(s):			
Item	Symbol	Value	Unit
Heat output			
Nominal heat output	P _{nom}	See table	kW
Minimum heat output (indicative)	P _{min}	See table	kW
Maximum continuous heat output	P _{max}	See table	kW
Auxiliary electricity consumption			
At nominal heat output	e _{lmax}	See Table	kW
At minimum heat output	e _{lmin}	See Table	kW
In standby mode	e _{lSB}	0	kW

Item no.	Type	kW P _{min} / P _{nom} / P _{Max}	kW e _{lmin} / e _{lmax}
69820017 69820025 (T)	DELTA 3000(T), 230 V~, 3 kW	1,5 / 3 / 3,15	1,540 / 3,190
69820033 69820041 (T)	DELTA 3000(T), 3x400 V~, 3 kW	1,5 / 3 / 3,15	1,553 / 3,203
69820058 69820066 (T)	DELTA 6000(T), 3x400 V~, 6 kW	3/6/6,30	3,053 / 6,356
69820074 69820082 (T)	DELTA 9000(T), 3x400 V~, 9 kW	4,5 / 9 / 9,45	4,553 / 9,503
69820090 69820108 (T)	DELTA 15000(T), 3x400 V~, 15 kW	7,5 / 15 / 15,75	7,605 / 15,855
69820116 69820124 (T)	DELTA 21000(T), 3x400 V~, 21 kW	10,5 / 21 / 22,05	10,605 / 22,855

GB Fan Heaters

(Original instruction)

Model identifier(s):	
Item	Unit
Type of heat input, for electric storage local space heaters only (select one)	
Manual heat charge control, with integrated thermostat	NA
Manual heat charge control with room and/or outdoor temperature feedback	NA
Electronic heat charge control with room and/or outdoor temperature feedback	NA
Fan assisted heat output	NA
Type of heat output/room temperature control (select one)	
Single stage heat output and no room temperature control	No
Two or more manual stages, no room temperature control	No
with mechanic thermostat room temperature control	Yes
with electronic room temperature control	No
electronic room temperature control plus day timer	No
electronic room temperature control plus week timer	No
Other control options (multiple selections possible)	
room temperature control, with presence detection	No
room temperature control, with open window detection	No
with distance control option	No
with adaptive start control	No
with working time limitation	No
with black bulb sensor	No